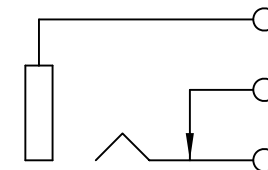
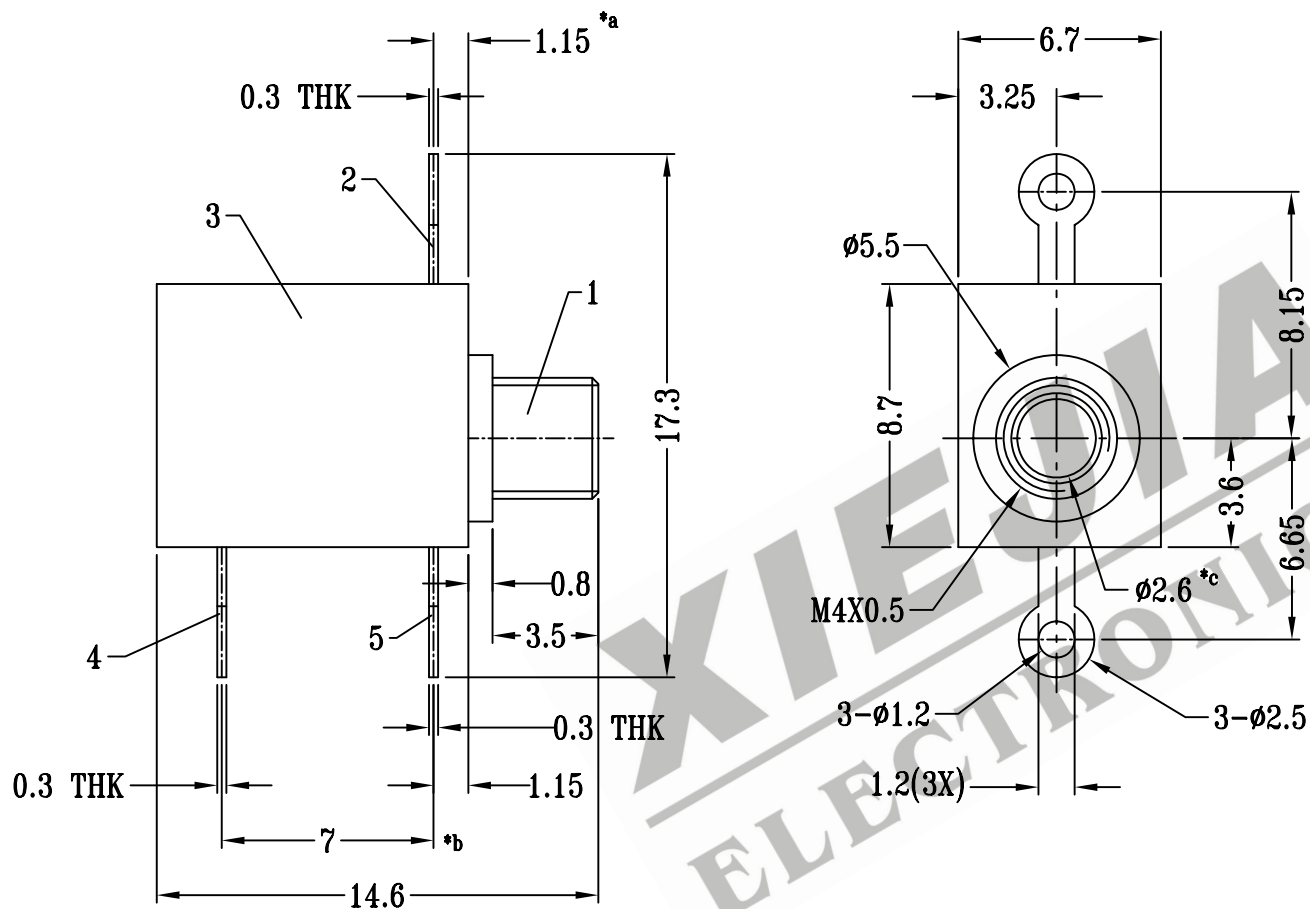


CAD FILE:



**SCHEMATIC**

注:带"\*"表示关键尺寸(3个)

NO.	PARTS	MATERIALS	Q'TY	FINISH	TOLERANCE UNLESS SPECIFIED	SHENZHEN XIEJIA ELECTRONICS CO.,LTD.				
8										
7	SPRING	STEEL WIRE	1	TEMPER						
6	COVER	PC	1	BLACK	WITHIN: 1.5±0.1mm OVER: 1.5±0.2mm	ISSUE	DATE	DESCRIPTIONS OF REVISION		APPD.
5	TERMINAL	BRASS STRIP	1	Ag PLATED OVER Ni PLATED				TITLE: PHONE JACK		UNIT: mm
4	TERMINAL	BRASS STRIP	1	Ag PLATED OVER Ni PLATED				MODEL: EY-506-C-3.5		SCALE: 4:1
3	CASE	PC	1	BLACK				DRWG NO.:	XJ-DR-EY506C3.5-00	
2	TERMINAL	BRASS STRIP	1	Ag PLATED OVER Ni PLATED				DWN.	ZHOUYU	2004-4-17
1	SOCKET	BRASS	1	Ni PLATED				CHK'D	FANGYING	2004-4-17
					ALL MATERIALS MUST BE COMPLIANT TO ROHS			APPD.	KANGXINAN	2004-4-17